



Installation Instructions

GX-27X System Organizer

Part Number 21050000

This document contains instructions for assembling the GX-27X System Organizer for use with the GX-271 and GX-274 systems.

Parts

The GX-27X System Organizer includes the following:

- Right side assembly
- Left side assembly
- Shelves (x2)
- Phillips screws (x24)

A medium-sized Phillips screwdriver is required for this installation.

Attaching the Shelves

1. Lay the left side assembly down on the floor with the beveled edge facing the floor and the foot of the assembly facing the front.

NOTE If the color strip faces the right in this position, it is the right side assembly.

2. Take one of the shelves and align the holes on the back of the shelf with the lower set of holes on the back of the left side assembly. Insert and slightly finger tighten the Phillips screws (Figure 2).

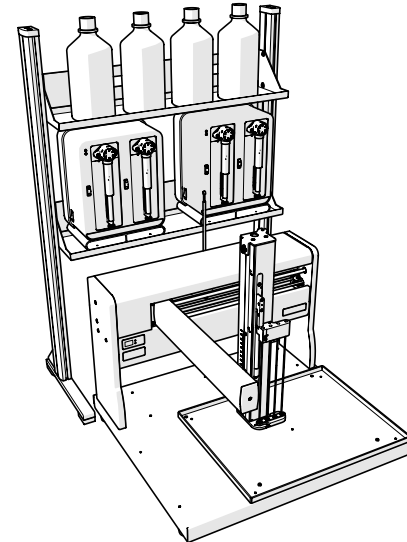


Figure 1: GX-274 System with Organizer

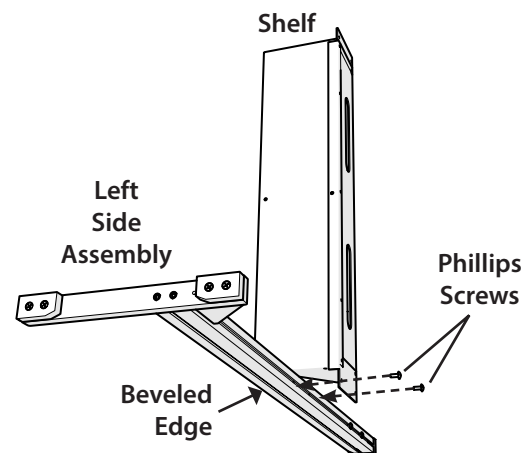


Figure 2: Installing the Shelf on the Side Assembly (Step 2)



3. Locate the holes on the inside of the left side assembly and insert the Phillips screws through the hole on the shelf and through the hole on the organizer and finger tighten the screws (Figure 3).
4. Repeat steps 2 and 3 for the right side assembly.
5. Place the organizer in an upright position and then install the second shelf in the same manner as the first shelf (Figure 4).
6. Use the Phillips screwdriver to firmly tighten all screws.

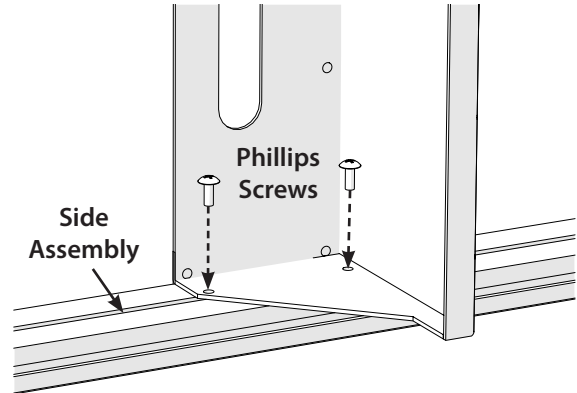


Figure 3: Installing the Shelf on the Side Assembly (Step 3)

Positioning the System Organizer

1. Place the organizer just behind the top cover of the GX-27X instrument. Ensure about an inch of clearance between the bottom shelf and the cable support rod on the back of the GX-27X (Figure 5).
2. Set the syringe pumps on the bottom shelf and the solvent bottles on the top shelf.
3. Turn off the GX-27X.
4. Make all plumbing and electrical connections, utilizing the access slots on the backs of the shelves.
5. Move the Z- and Y-arm manually to their furthest positions to ensure the free movement of the Z-arm and Z-arm cable.

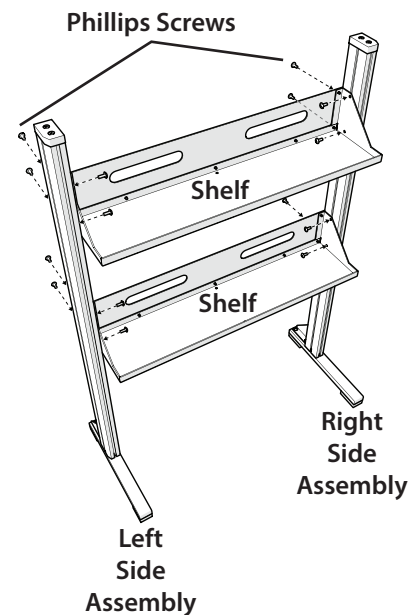


Figure 4: System Organizer with Screw Locations

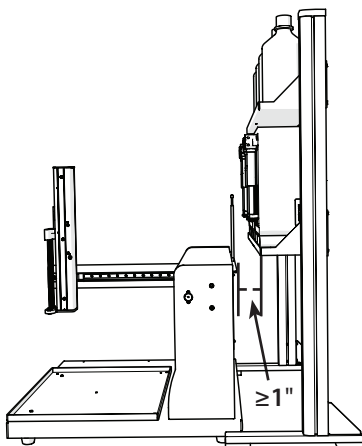


Figure 5: System Organizer with Proper Clearance (Side View)